

EGT User Manual

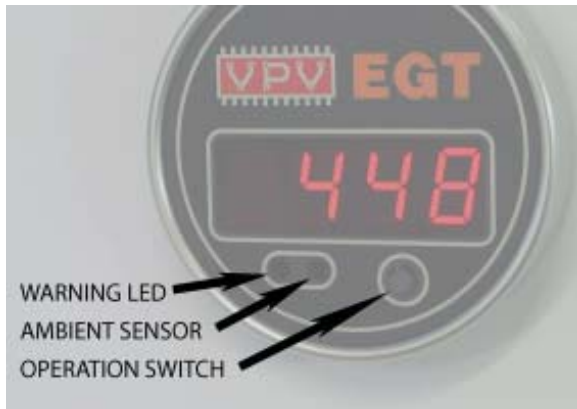


Specification:

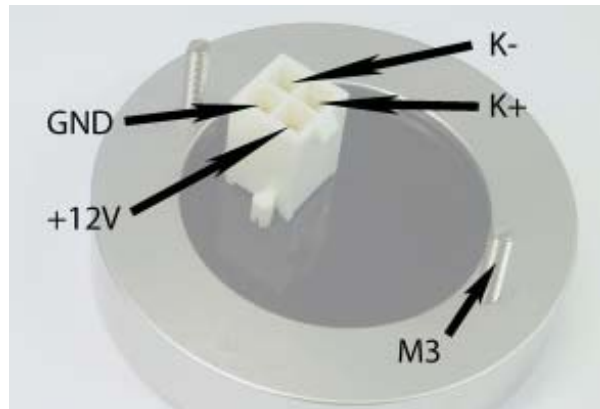
- Sensor type: K-type thermocouple, ungrounded
- Measuring range: 0-1100°C
- Measuring accuracy: $\pm 3^{\circ}\text{C}$ (0-1000°C, $t_{\text{amb}} = 25^{\circ}\text{C}$)
- Operating temperature range: -40 - +80°C
- Cold-junction compensation range: -40 - +80°C
- Operating voltage: 7-16Vdc
- Overvoltage protection: 39V 15A max (600W) 10/1000 μs
- Polarity protection: -400Vdc max continuous
- Internal fuse protection: 2 x F2A

Features:

- Peak value memory and reset
- Adjustable warning light 0-1100°C (5°C step)
- Automatic display brightness control



Picture 1 Front panel

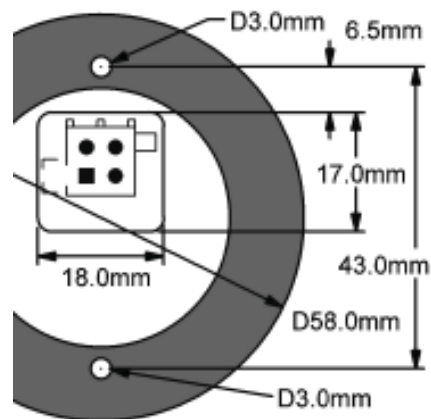


Picture 2 Backside connections

Connector and wiring:

Pin	Cable colour	Signal
1	RED	+12V
2	GREEN	K+
3	BLACK	GND/-
4	WHITE	K-

Table 1 Connector pins



Picture 3 Assembly hole dimensioning

